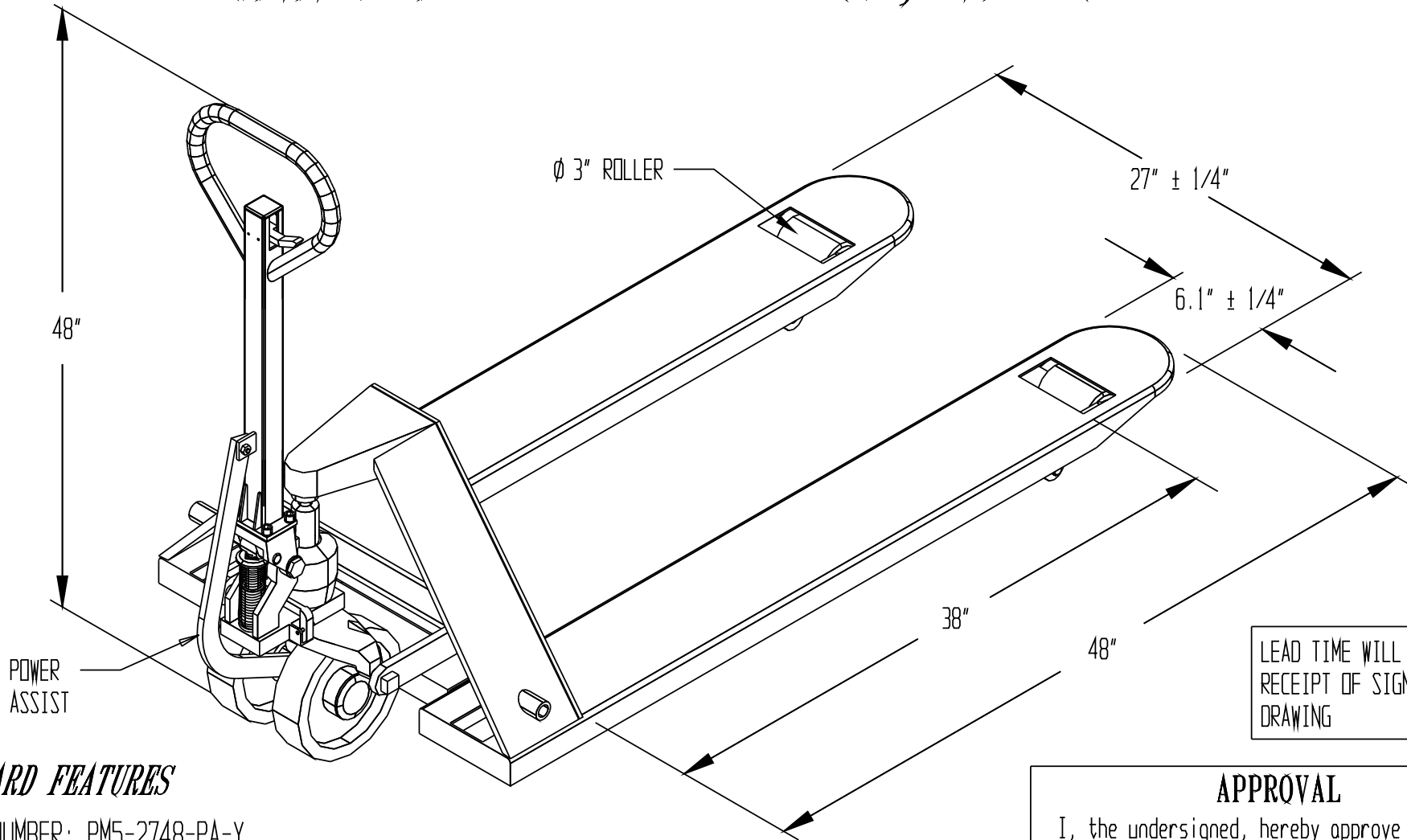


ERGONOMIC POWER ASSIST PALLET TRUCK, PM5-2748-PA-Y



LEAD TIME WILL START UPON RECEIPT OF SIGNED APPROVAL DRAWING

STANDARD FEATURES

MODEL NUMBER: PM5-2748-PA-Y
 OVERALL FORK WIDTH IS $27 \pm 1/4$ INCHES
 OVERALL FORK LENGTH IS 48 INCHES
 CAPACITY IS 5,000 LBS
 LOWERED HEIGHT IS $2 \frac{7}{8}$ INCHES
 RAISED HEIGHT IS $7 \frac{1}{2}$ INCHES
 UNIT IS YELLOW

SPECIAL FEATURES

NONE

**SPECIAL UNITS ARE NON-RETURNABLE
 *AVAILABLE AT ADDITIONAL COSTS

*** ALL GRAPHICS PROVIDED ARE FOR REFERENCE ONLY.
 IF CERTAIN DIMENSIONS ARE CRITICAL PLEASE VERIFY
 THOSE DIMENSIONS WITH YOUR SALESPERSON. ***

APPROVAL

I, the undersigned, hereby approve this print
 As drawn As marked
 This includes my approval of design & dimensions.
 Signed: _____
 Date: _____

Any additions, deletions or omissions must be corrected on this drawing, as this drawing will be considered all inclusive.

DISTRIBUTOR'S NAME:		P.O.#: -
VESTIL MANUFACTURING		W.O.#: -
DRAWN BY: SR	DATE: 9-26-08	SALES: -
REFERENCE:		DRWG./FILE NAME:
-	SCALE: NTS	PM5-2748-PA-Y